

EC Light Shield (PN 41175) Door Interlock Installation

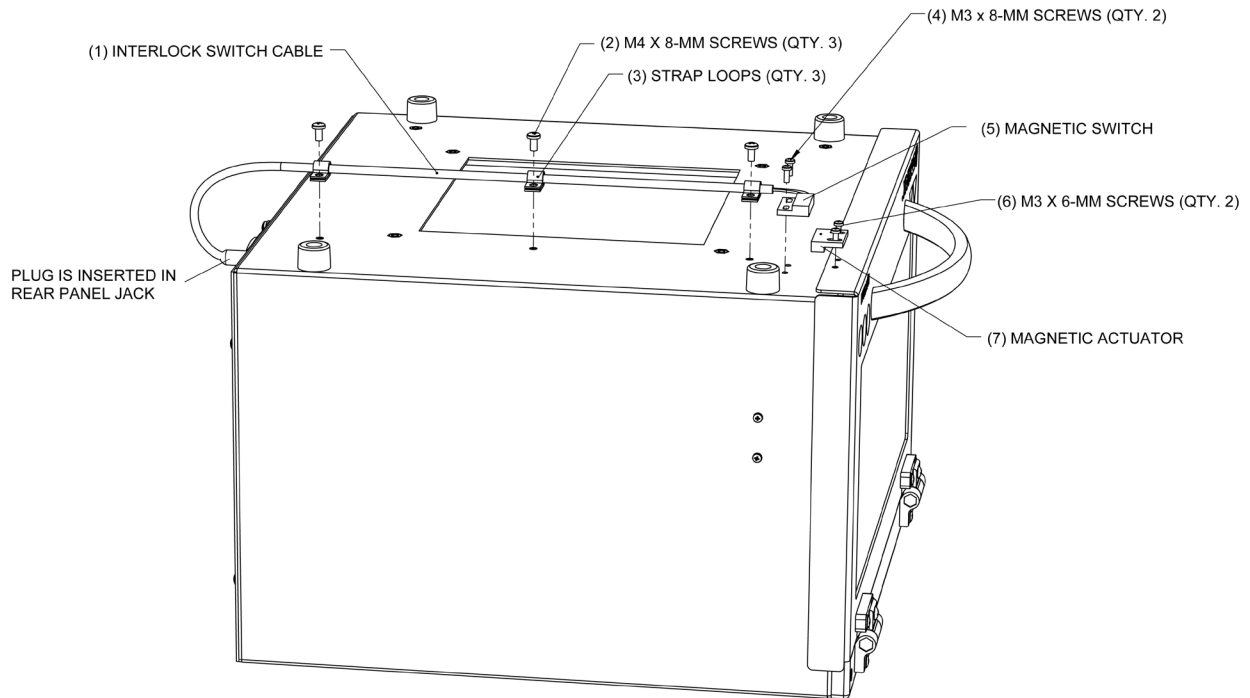


Figure 1. Light Shield (PN 41175) with Door Interlock Kit (PN 41166) (shown upside down)

1. Turn off the power and remove all cables from the Light Shield.
2. Remove the Reflector and Shutter from the top of the Light Shield. Place the Light Shield on its side.
3. Remove the five screws from the bottom of the Light Shield (Figure 2).
4. Attach the Magnetic Switch to the bottom of the housing using two M3 x 8-mm screws (Figure 3).

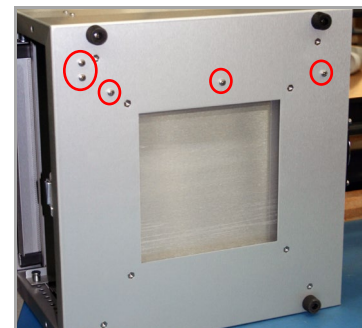


Figure 2. Remove Screws



Figure 3. Magnetic Switch

5. Fasten the Interlock Switch Cable to the bottom side of the unit using the three Nylon Strap Loops and the three M4 x 8-mm screws (Figure 4).

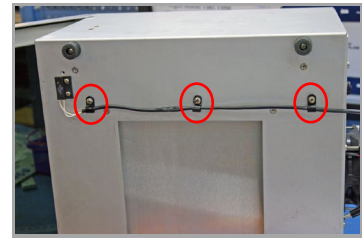


Figure 4. Interlock Switch Cable

6. Attach the Magnetic Actuator to the Front Door using the two M3 x 6-mm screws (Figure 5).

Note: Check that the Magnetic Switch and the Magnetic Actuator are aligned.

7. Plug the connector to the power jack at the back of the unit. (Figure 6)

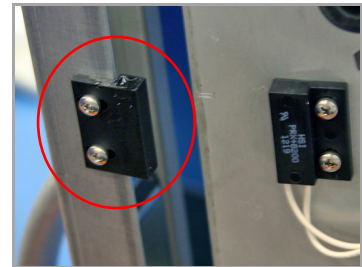


Figure 5. Install Magnetic Actuator

8. Turn the unit back over to the working orientation and reinstall the Shutter and Reflector.

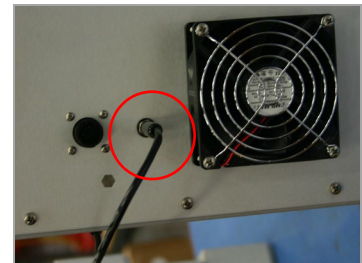


Figure 5. Install Magnetic Actuator



© 2013 Dymax Corporation. All rights reserved. All trademarks in this guide, except where noted, are the property of, or used under license by Dymax Corporation, U.S.A.

Please note that most dispensing and curing system applications are unique. Dymax does not warrant the fitness of the product for the intended application. Any warranty applicable to the product, its application and use is strictly limited to that contained in Dymax's standard Conditions of Sale. Dymax recommends that any intended application be evaluated and tested by the user to insure that desired performance criteria are satisfied. Dymax is willing to assist users in their performance testing and evaluation by offering equipment trial rental and leasing programs to assist in such testing and evaluations. Data sheets are available for valve controllers or pressure pots upon request. QS069 12/18/2013

Dymax Corporation
860.482.1010 | info@dymax.com | www.dymax.com

Dymax Europe GmbH
+49 (0) 611.962.7900 | info_de@dymax.com | www.dymax.de

Dymax Engineering Adhesives Ireland Ltd.
+353.1.231.4696 | info_ie@dymax.com | www.dymax.ie

Dymax Oligomers & Coatings
860.626.7006 | info_oc@dymax.com | www.dymax-oc.com

Dymax UV Adhesives & Equipment (Shanghai) Co. Ltd.
+86.21.37285759 | dymaxasia@dymax.com | www.dymax.com.cn

Dymax UV Adhesives & Equipment (Shenzhen) Co. Ltd.
+86.755.83485759 | dymaxasia@dymax.com | www.dymax.com.cn

Dymax Asia (H.K.) Limited
+852.2460.7038 | dymaxasia@dymax.com | www.dymax.com.cn

Dymax Asia Pacific Pte. Ltd.
+65.6752.2887 | info_ap@dymax.com | www.dymax-ap.com

Dymax Korea LLC
+82.2.784.3434 | info_kr@dymax.com | www.dymax.com/kr