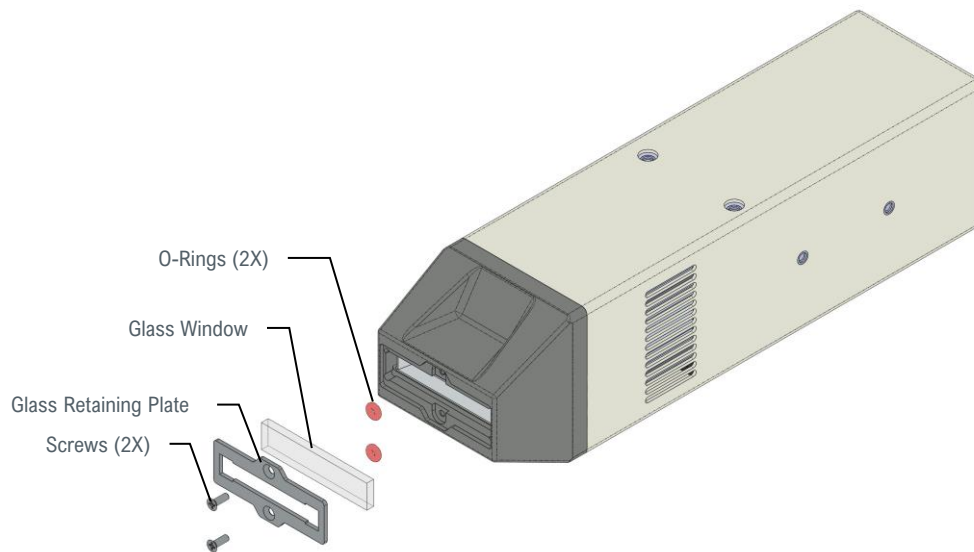




## BlueWave<sup>®</sup> MX-275 Glass Window Replacement Instructions

1. Before starting, disconnect power to the unit.
2. Lay the emitter on its side. Using a Phillips #1 screwdriver, loosen and fully remove the two screws (Figure 1).
3. Remove the glass retaining plate, then the old glass window and o-rings. (Figure 1).

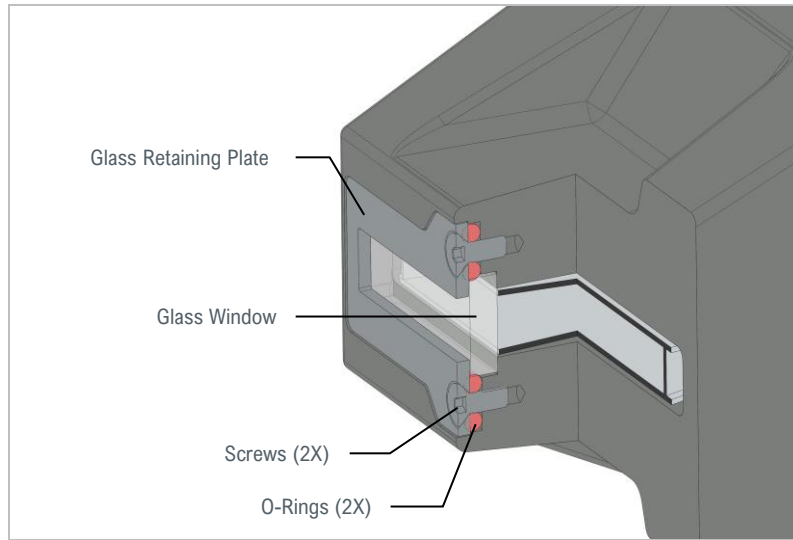
*NOTE: If the old glass window has shattered, be sure to remove all debris before attempting to install the new glass window.*



**Figure 1.** Removal of Glass Window

4. Wearing vinyl or cotton gloves, unwrap the new glass window and carefully clean it with the enclosed alcohol swab. Take care not to touch the glass window with bare hands, as any residue left on the window can adversely affect the performance of the unit.
5. Holding the window by its sides, lay it into the emitter's window pocket. Make sure the window is between the o-rings (supplied) as shown in Figure 2.

6. Reversing steps 2 & 3, reinstall the glass retaining plate, insert the two screws, and tighten.



**Figure 2.** Cut-a-Way of Glass Window Pocket, All Parts Installed

[www.dymax.com](http://www.dymax.com)

**Americas**

USA | +1.860.482.1010 | [info@dymax.com](mailto:info@dymax.com)

**Europe**

Germany | +49 611.962.7900 | [info\\_de@dymax.com](mailto:info_de@dymax.com)  
Ireland | +353 21.237.3016 | [info\\_ie@dymax.com](mailto:info_ie@dymax.com)

**Asia**

Singapore | +65.67522887 | [info\\_ap@dymax.com](mailto:info_ap@dymax.com)  
Shanghai | +86.21.37285759 | [dymaxasia@dymax.com](mailto:dymaxasia@dymax.com)  
Shenzhen | +86.755.83485759 | [dymaxasia@dymax.com](mailto:dymaxasia@dymax.com)  
Hong Kong | +852.2460.7038 | [dymaxasia@dymax.com](mailto:dymaxasia@dymax.com)  
Korea | +82.31.608.3434 | [info\\_kr@dymax.com](mailto:info_kr@dymax.com)

© 2021 Dymax Corporation. All rights reserved. All trademarks in this guide, except where noted, are the property of, or used under license by Dymax Corporation, U.S.A.

The data contained in this bulletin is of a general nature and is based on laboratory test conditions. Dymax does not warrant the data contained in this bulletin. Any warranty applicable to the product, its application and use is strictly limited to that contained in Dymax's standard Conditions of Sale. Dymax does not assume responsibility for test or performance results obtained by users. It is the user's responsibility to determine the suitability for the product application and purposes and the suitability for use in the user's intended manufacturing apparatus and methods. The user should adopt such precautions and use guidelines as may be reasonably advisable or necessary for the protection of property and persons. Nothing in this bulletin shall act as a representation that the product use or application will not infringe a patent owned by someone other than Dymax or act as a grant of license under any Dymax Corporation Patent. Dymax recommends that each user adequately test its proposed use and application before actual repetitive use, using the data contained in this bulletin as a general guide. QS089 08/16/2021